

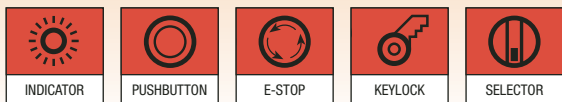
# Series 61



Front size	18 mm dia. 18 x 18 mm 18 x 24 mm 24 mm dia. 24 x 24 mm 24 x 30 mm 25 mm dia. 26 x 26 mm 27 mm dia. 32 mm dia. 40 mm dia.
Front protection	IP 65
Mounting hole size	16 mm dia. 21 x 21 mm 21 x 27 mm 22.5 mm dia.
Switching System	Slow-make switching element Snap-action switching element
Switch rating	250 VAC, 5 A 42 VAC, 100 mA
Illumination	Filament lamp LED

# Series 61

16mm 22.5mm 21 x 21mm 21 x 27mm IP65 5A 250VAC



Choose one component from each of the colored sections to assemble a complete switch. For other options or further information please contact EAO Switch directly.

## Product Profile

The Series 61 is a high quality, modular switch range that includes pushbuttons, indicators, selector switches, keylock switches and Emergency-stops. Available in raised or flush mount.

Self cleaning snap-action and slow-make switching elements available.

Technical drawings see pages 67-68

- IP65 Protection
- Switch Rating, 5A, 250VAC
- Raised Mounting into 16mm cut out
- Flush Mounting into 22.5mm, 21x21mm and 21x27mm cut out
- Illumination using midget-grooved T-1<sup>3</sup>/<sub>4</sub> lamps or single chip LED's
- All standard lenses are transparent with translucent white diffusers and are available in different colors
- For keylock switches 135 different key codes are available

**A guide to ordering parts - choice of front bezel determines front shape for flush mount versions. Accessories are optional.**

<b>Indicator</b>	<b>LED</b>	<b>Accessories</b>	<b>Accessories</b>		
For a complete indicator you will need to order the appropriate indicator, LED, lens and bezel (for flush mount only)					
<b>Illuminated pushbutton</b>	<b>Contact block</b>	<b>LED (optional)</b>	<b>Accessories</b>	<b>Accessories</b>	
For a complete illuminated pushbutton you will need to order the appropriate actuator, contact block, LED, lens and bezel (for flush mount only)					
<b>Keylock switch</b>	<b>Contact block</b>	<b>Contact block</b>	<b>Accessories</b>	<b>Accessories</b>	<b>Accessories</b>
For a complete keylock switch you will need to order the appropriate actuator, contact block and bezel (for flush mount only)					
<b>Selector switch</b>	<b>Contact block</b>	<b>Contact block</b>	<b>LED (optional)</b>	<b>Accessories</b>	<b>Accessories</b>
For a complete selector switch you will need to order the appropriate actuator, contact block, LED, lever and bezel (for flush mount only)					

Choose one component from each of the colored sections to assemble a complete switch.  
For other options or further information please contact EAO Switch directly.

 BLOCK	 LED	 ACCESSORIES
---	---	---

 <b>Indicator</b>	 <b>Illuminated pushbutton</b>
--	---



Indicator bodies, raised, round, square and rectangular, black plastic, 16mm mounting

Image	Part No.	Size
1	61-0050.02	24 x 24mm
2	61-0030.02	18 x 24mm
3	61-0020.02	18 x 18mm
4	61-0010.02	18mm Ø
Flush mount adapter determines round, square or rectangular		

For complete switch also order  **A**



Universal indicator body for flush mount, black plastic

Image	Part No.
	61-0000.02
Flush mount adapter determines round, square or rectangular	

For complete switch also order  **A**



Illuminated pushbutton actuator, raised, round, square and rectangular, black plastic, 16mm mounting

Image	Part No.	Action	Size
1	61-1150.0	Momentary	24 x 24mm
1	61-1250.0	Maintained	24 x 24mm
2	61-1130.0	Momentary	18 x 24mm
2	61-1230.0	Maintained	18 x 24mm
3	61-1120.0	Momentary	18 x 18mm
3	61-1220.0	Maintained	18 x 18mm
4	61-1110.0	Momentary	18mm Ø
4	61-1210.0	Maintained	18mm Ø

For complete switch also order   **A**

 **Illuminated pushbutton**



Universal illuminated flush mount pushbutton actuator, round, black plastic

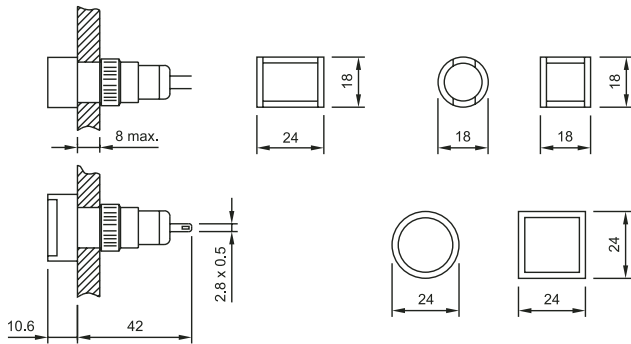
Part No.	Action
61-1100.0	Momentary
61-1200.0	Maintained
Flush mount adapter determines round, square or rectangular	

For complete switch also order   **A**



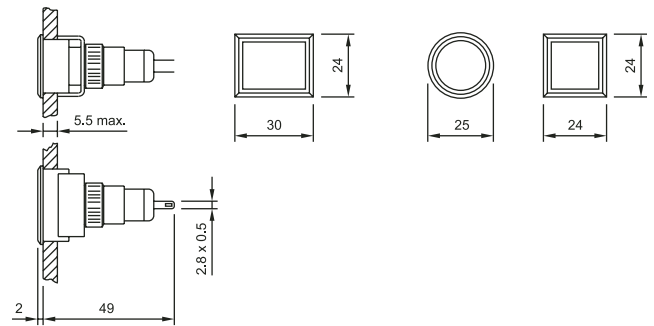
## 61 Indicator

Raised, Round, Square, Rectangular



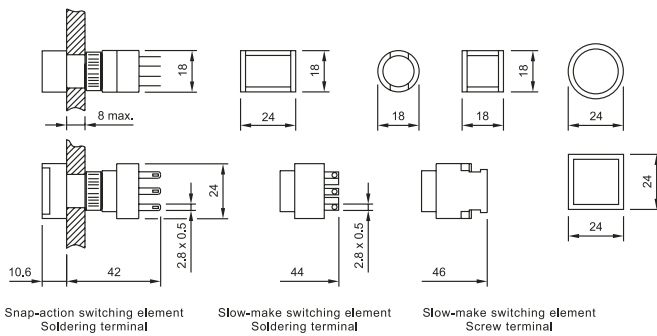
## 61 Indicator

Flush, Round, Square, Rectangular



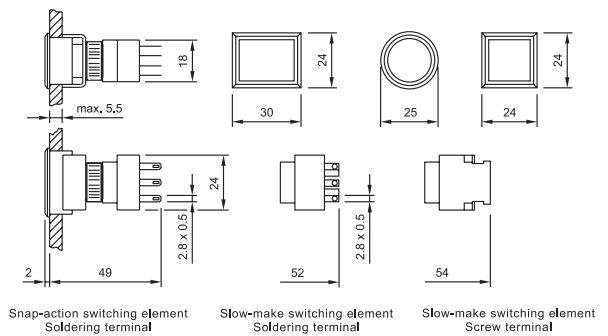
## 61 Pushbutton

Illuminated, Raised, Round, Square, Rectangular



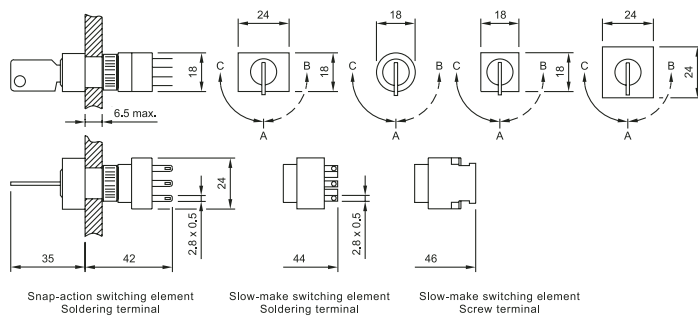
## 61 Pushbutton

Illuminated, Flush, Round, Square, Rectangular



## 61 Keylock

2 & 3-Position, Round, Square, Rectangular



## 61 Selector

2 & 3-Position, Round, Square, Rectangular

